

**GROVE**

VENTILEINHEIT HUBZYLINDER VORMONTAGE  
 VALVE UNIT LIFTING CYLINDER PRE-ASSEMBLY

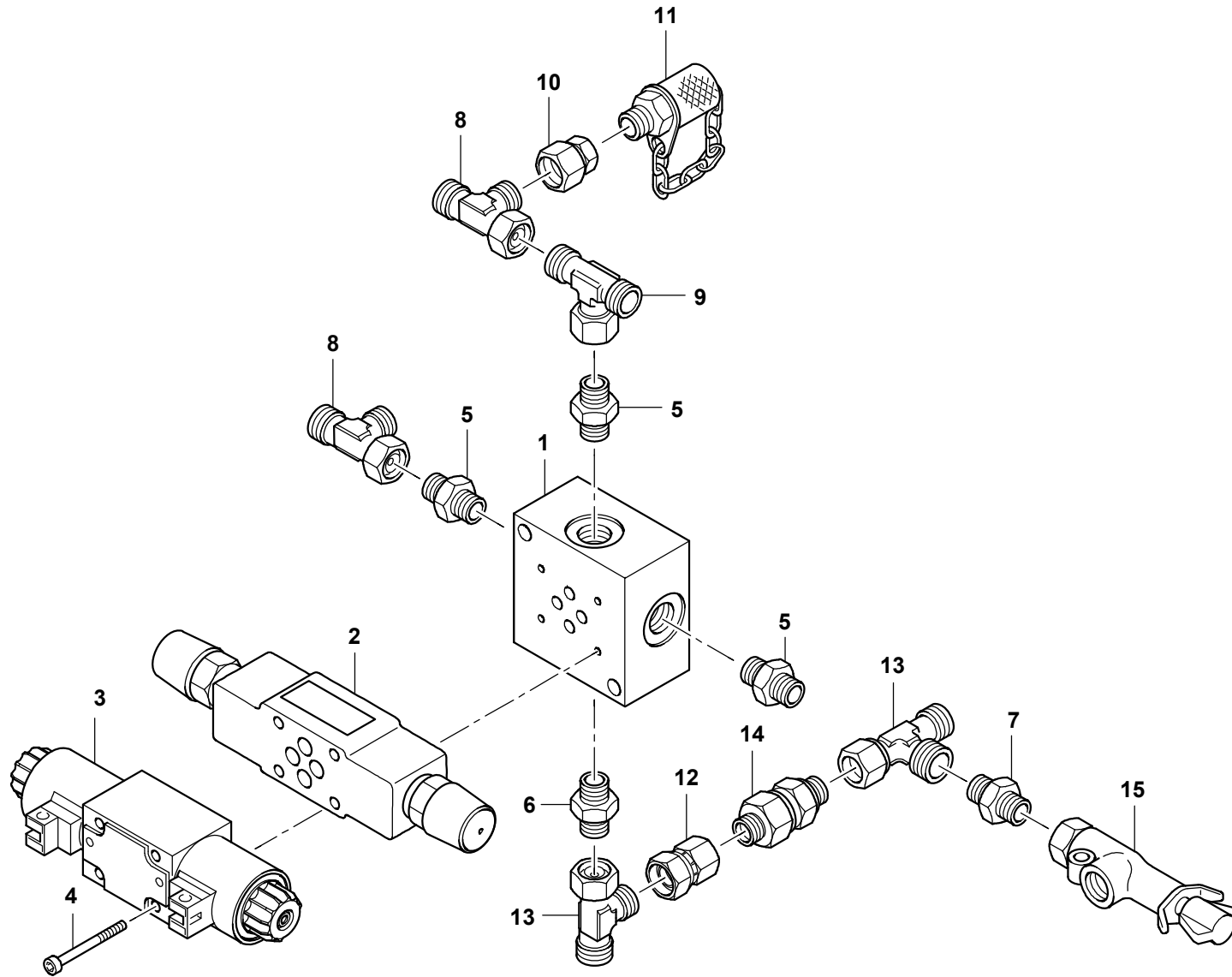
BILDТАFEL  
 PICTORIAL DISPLAY

**GMK 6300**  
**BE 770**  
**G 000**

04.16

**3198868-ETL B**

1/1



3198868-B-BL01-0416-0000